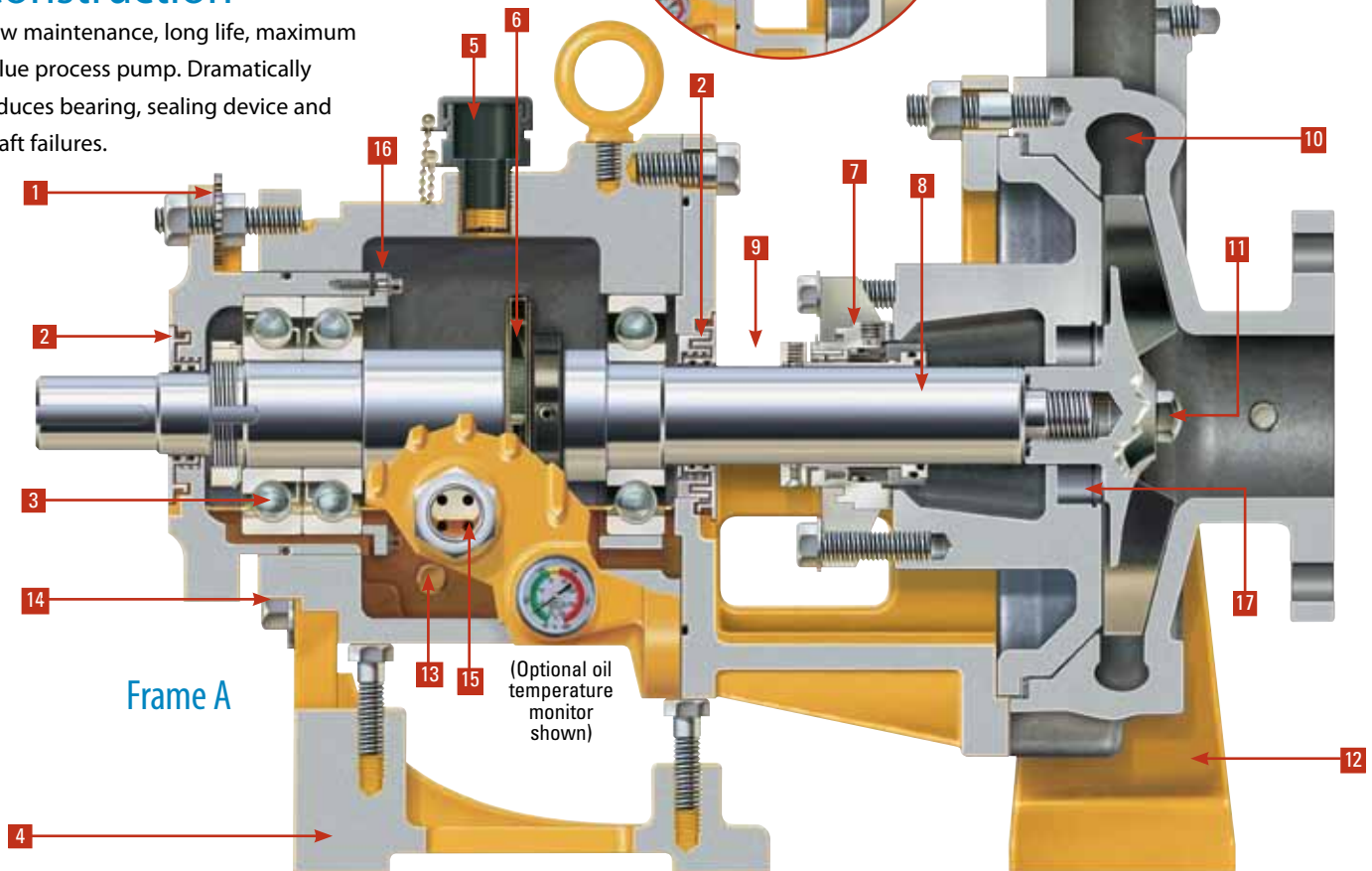




Frame A/LD17 Pump (ASME/ANSI/IPP Metric)

Construction

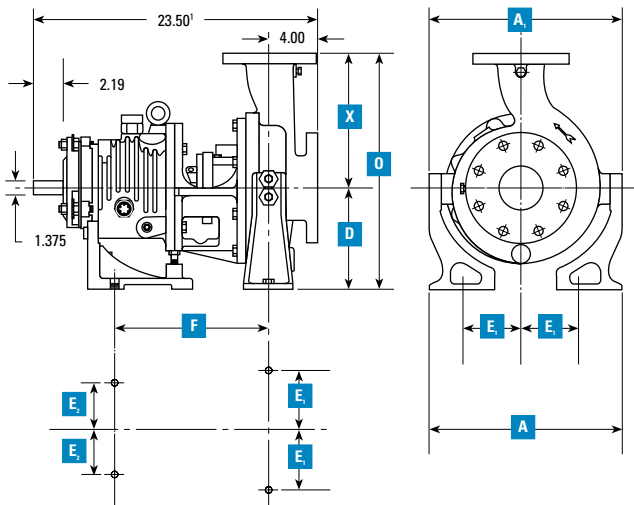
Low maintenance, long life, maximum value process pump. Dramatically reduces bearing, sealing device and shaft failures.



- 1** Micrometer adjustment nuts fine tune impeller setting for maximum efficiency.
- 2** System One Labyrinth Seals provide a non-wearing lifetime protection for radial and thrust bearings.
- 3** 7310 (pair) angular contact bearings provided for maximum thrust capacity.
- 4** Full support rear leg assures bearing frame remains upright during pump disassembly. Full adjustability aids in alignment.
- 5** Large oil inlet for easy filling of oil. The sealed cover minimizes dirt and moisture entry.
- 6** Flinger filter constantly cleans oil during pump operation.
- 7** All standard mechanical seals can be installed on a Frame A System One pump. Optional seal chamber jacket for cooling the mechanical seal. LD17 accepts most standard mechanical seals.
- 8** Solid alloy shaft (no sleeve) and minimal overhang assure the highest rigidity and corrosion resistance. The LD17 has the lowest L^3/D^4 stiffness ratio in the industry.
- 9** Frame A adaptor has a 180° unobstructed opening for ease of maintenance.
- 10** State-of-the-art casting methods provide smoothest possible surfaces for highest efficiency.
- 11** Cast-in impeller nut makes removal easy.
- 12** Centerline casing support legs minimize heat effects as required by API 610 spec.
- 13** Two magnetic plugs are provided to maintain clean oil and are removable for insertion of cooling coil.
- 14** Rabbet for C-Frame (NEMA) or D-Flange (IEC) motor adaptor provides for automatic mechanical motor alignment without special tools or excessive labor.
- 15** Oil sight glass for constant monitoring of oil level and condition.
- 16** Positive locking thrust bearing retainer cover for maximum bearing holding power and minimum axial movement.
- 17** Bushing options include carbon, polyurethane and SpiralTrac¹.

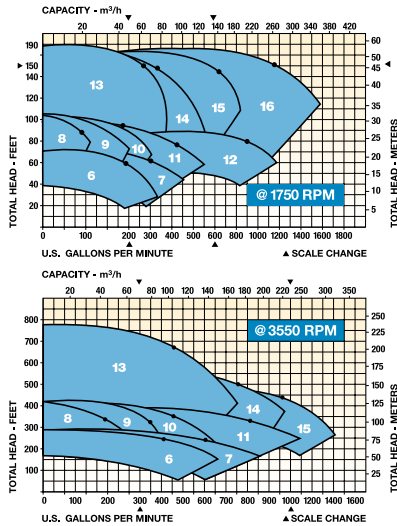
¹ SpiralTrac is a registered trademark of the manufacturer, EnviroSeal Engineering Products Ltd., Waverly, Nova Scotia.

Frame A/LD17 Pump ASME/ANSI

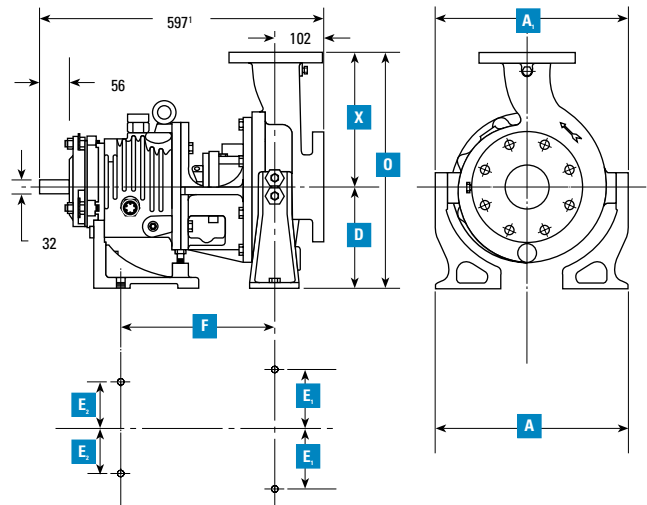


	Pump Size	Discharge	Suction	X	D	O	F A	F LD17	2E ₁	2E ₂	A	A ₁
6	2 x 3-8	2.0	3.0	9.50	8.25	17.75	12.50	9.81	9.75	7.25	15.00	15.00
7	3 x 4-8	3.0	4.0	11.00	8.25	19.25	12.50	9.81	9.75	7.25	15.75	15.75
8	1 x 2-10	1.0	2.0	8.50	8.25	16.75	12.50	9.81	9.75	7.25	15.75	15.75
9	1.5 x 3-10	1.5	3.0	8.50	8.25	16.75	12.50	9.81	9.75	7.25	16.13	16.13
10	2 x 3-10	2.0	3.0	9.50	8.25	17.75	12.50	9.81	9.75	7.25	16.38	16.38
11	3 x 4-10	3.0	4.0	11.10	8.25	19.25	12.50	9.81	9.75	7.25	13.63	17.63
12	4 x 6-10	4.0	6.0	13.50	10.00	23.50	12.50	9.81	9.75	7.25	14.44	19.94
13	1.5 x 3-13	1.5	3.0	10.50	10.00	20.50	12.50	9.81	9.75	7.25	15.00	20.50
14	2 x 3-13	2.0	3.0	11.50	10.00	21.50	12.50	9.81	9.75	7.25	15.38	20.88
15	3 x 4-13	3.0	4.0	12.50	10.00	22.50	12.50	9.81	13.00	7.25	16.63	22.13
16	4 x 6-13	4.0	6.0	13.50	10.00	23.50	12.50	9.81	13.00	7.25	17.56	23.07

All dimensions are in inches. ¹20.81 inches on LD17.

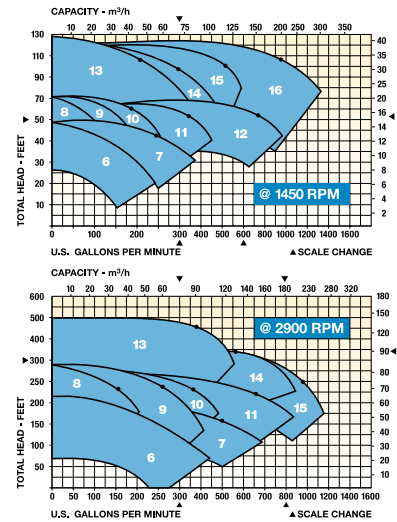


Frame A/LD17 Pump IPP METRIC



	Pump Size	Discharge	Suction	X	D	O	F A	F LD17	2E ₁	2E ₂	A	A ₁
6	50 x 80-200	50	80	241	200	441	318	249	250	184	279	381
7	80 x 100-200	80	100	279	200	479	318	249	250	184	298	400
8	25 x 50-250	25	50	216	200	416	318	249	250	184	298	400
9	40 x 80-250	40	80	216	200	416	318	249	250	184	318	419
10	50 x 80-250	50	80	241	200	441	318	249	250	184	314	416
11	80 x 100-250	80	100	279	200	479	318	249	250	184	346	448
12	100 x 150-250	100	150	343	250	593	318	249	250	184	367	506
13	40 x 80-330	40	80	267	250	517	318	249	250	184	381	521
14	50 x 80-330	50	80	292	250	542	318	249	250	184	391	530
15	80 x 100-330	80	100	318	250	568	318	249	330	184	422	562
16	100 x 150-330	100	150	343	250	593	318	249	330	184	460	586

All dimensions are in millimeters. ¹529 mm on LD17.



- Standard centerline mount for high temperature applications
- Optional left or right side discharge
- Optional vertical mount configuration – contact factory for special quotation
- LD17 - The most stable shaft in the industry keeps mechanical seal faces perfectly centered for the lowest possible VOC emissions

Distributed By:



Process | Energy | Military & Marine

World Headquarters

1809 Century Avenue SW, Grand Rapids, MI 49503-1530 USA

T 616.241.1611 F 616.241.3752 www.blackmer.com